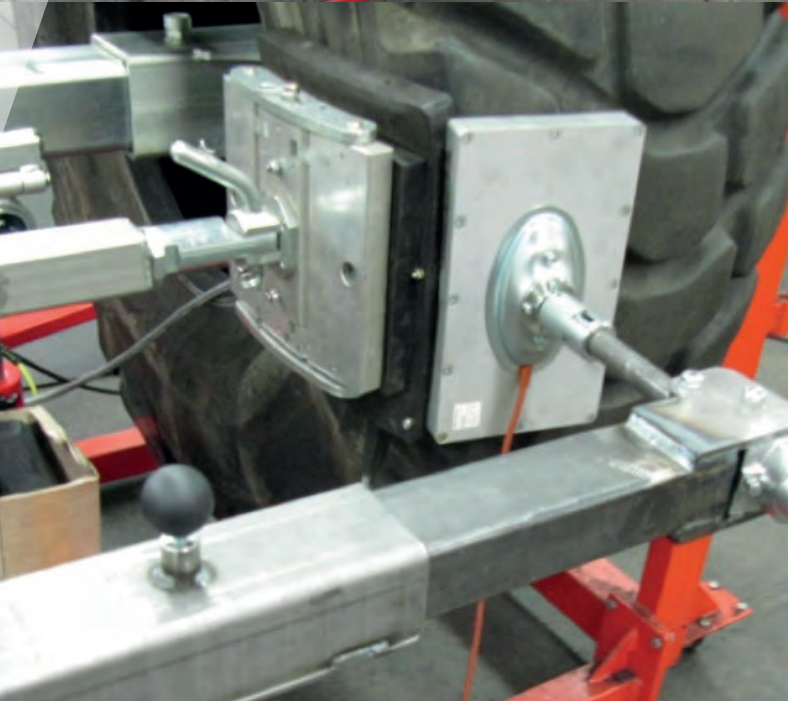
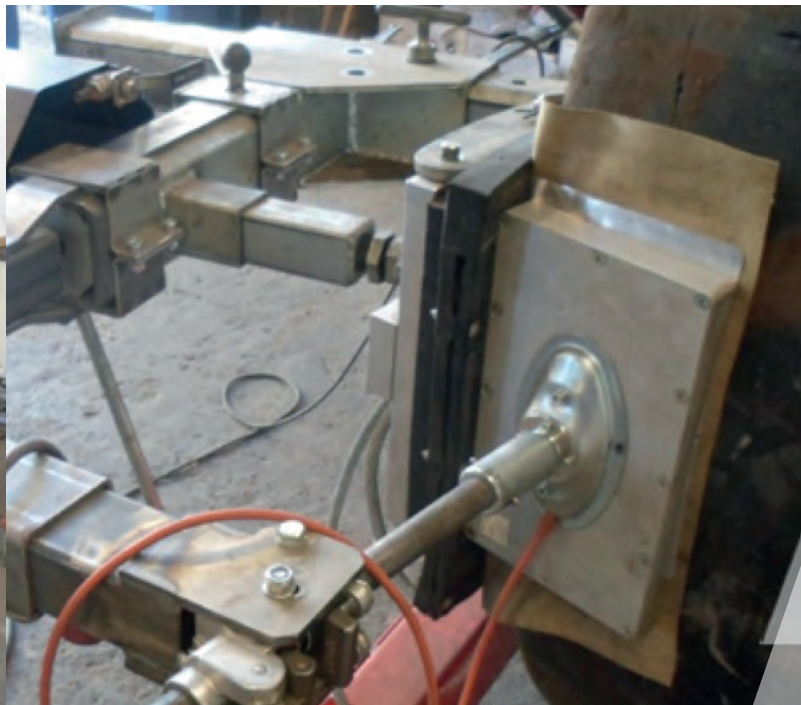




// ONE BRAND // ONE SOURCE // ONE SYSTEM



CURING SYSTEM

For repairs in the shoulder area of OTR-/EM tires

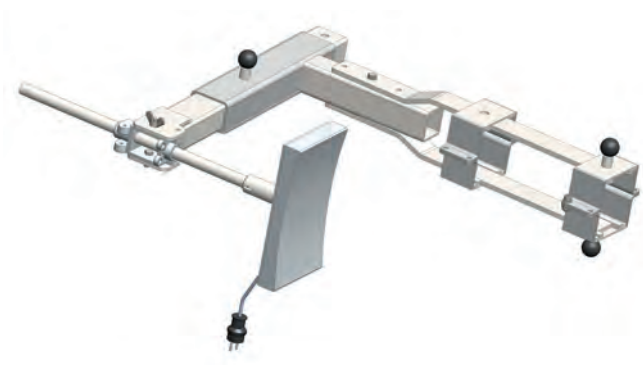
- Easy repairing in the shoulder area
- Ideal for smaller to medium sized workshops and tire services
- Accessory suitable for all THERMOPRESS-EM-I vulcanizing machines
- Extends the area of operation for repairs in the shoulder

CURING SYSTEM

For repairs in the shoulder area of OTR- / EM tires

Technical properties

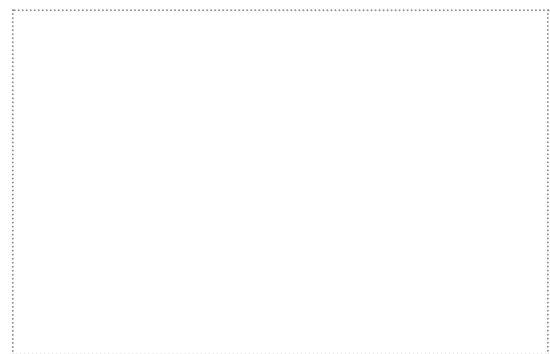
Dimensions (L x B x H in mm)	1050 x 850 x 330
Weight (kg)	ca. 38 kg
Ref. No.	517 7710



Repair results (examples)



REMA TIP TOP AG
Gruber Strasse 65 · 85586 Poing / Germany
Phone: +49 8121 707-10 0
Fax: +49 8121 707-10 222
info@tiptop.de
www.rema-tiptop.com



Your local contact